

Demo Case

Ordering Code: DEMO.C-MODULE.V1

Size: 300mm x 300mm x 85mm

Weight: ~2030g

LED MODULES

This demo case contains a combination of COIN, 20, 35 and 50 series LED modules ranging from 4.5W to 12W that includes variations in constant current and constant voltage (24CV) versions, single CCT and variable CCT (WARM DIM & tuneWHITE), with external driver and integrated driver (NEST). Optical lenses of different angles are also included and can be interchanged on the LED modules to experience the light effects of different beam angles.



Compatible LED Module

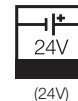


Module Colour Temperature Variation

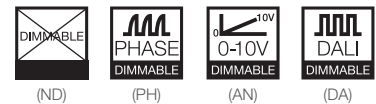


Driver Dimming Variation

Constant Voltage



Constant Current



LED MODULES DEMO CASE



DEMO CASE INCLUSIVE OF:



1

20 SERIES - Compatible with ELR size-2 fixtures

	LED Module						Driver			
	LED Power	Beam Angle		Colour Temp		CRI	Dimming			
	ELR20P	8W	25	25°	30	3000K	PP	ProART98	ND PH AN DA	Non-Dim Phase 0-10V DALI
	ELR20P-24CV	8W	40	40°	30	3000K	PA	ProART	ND	Non-Dim

2

LENS OPTIONS



4

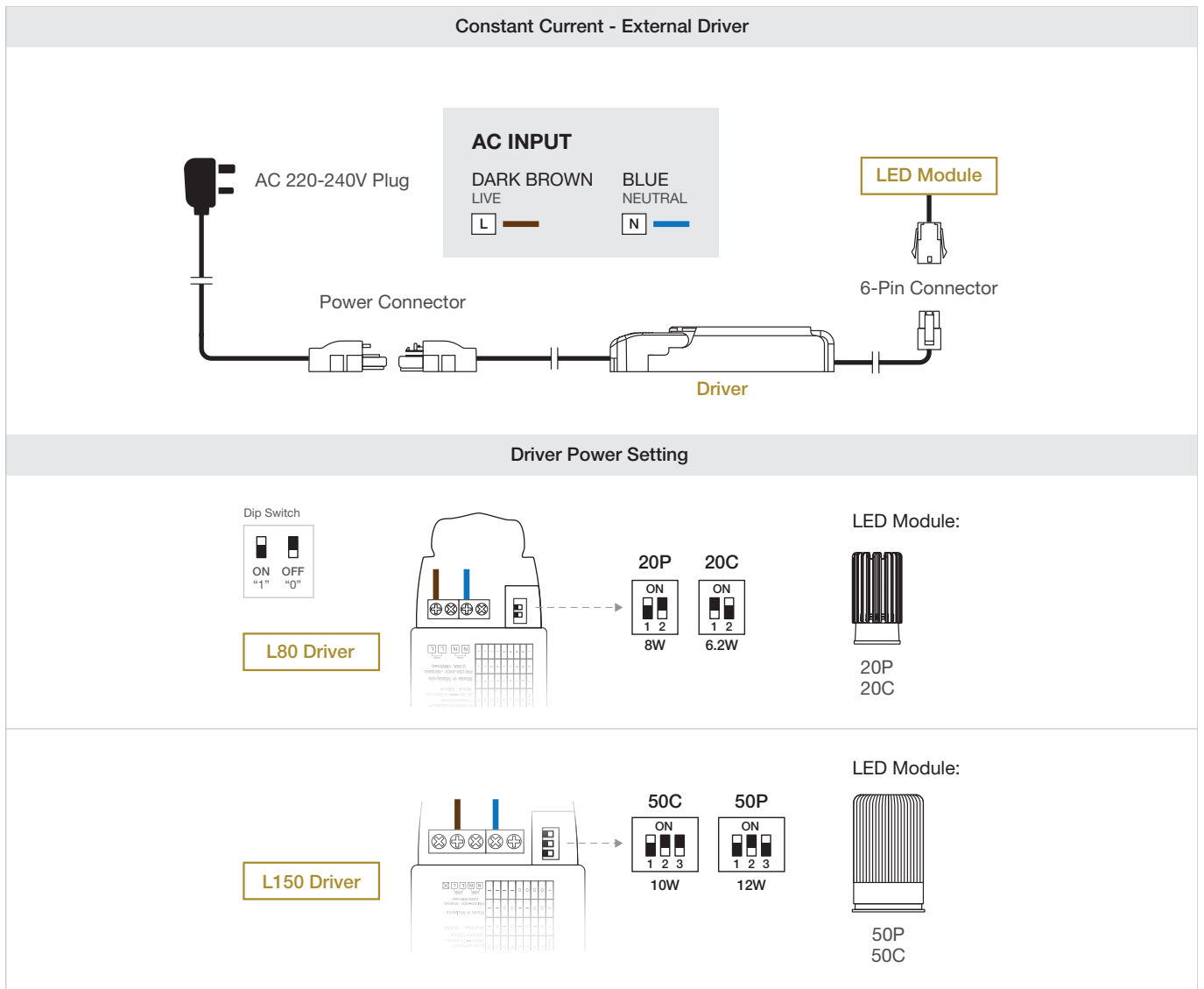
COIN, 35 & 50 SERIES LED MODULE - Compatible with ELR size-3 and size-4 fixtures

	LED Module						Driver			
	LED Power	Beam Angle		Colour Temp		CRI	Dimming			
	ELRCOIN-24CV	4.5W	60	60°	40	4000K	PA	ProART	ND	Non-Dim
	ELR50P	12W	60	60°	35	3500K	PA	ProART	ND PH AN DA	Non-Dim Phase 0-10V DALI
	ELR35N	5.5W	60	60°	WD	WARM DIM	PA	ProART	PH	Phase
	ELR50N	7.5W	60	60°	TW27	tuneWHITE 2700K-6500K	PA	ProART	DA	DALI

3

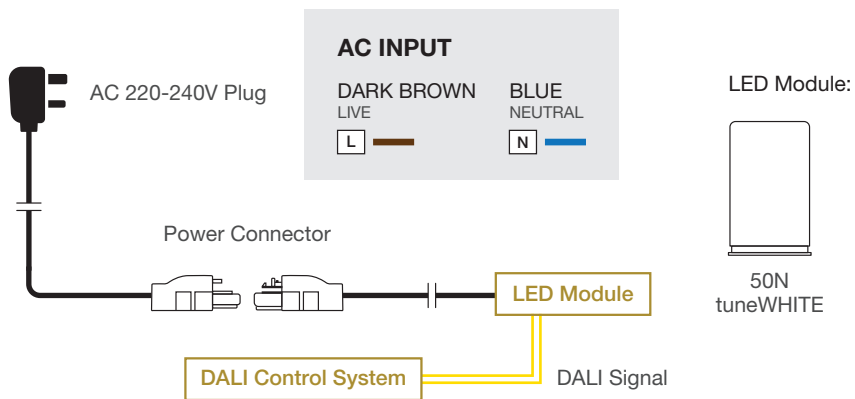
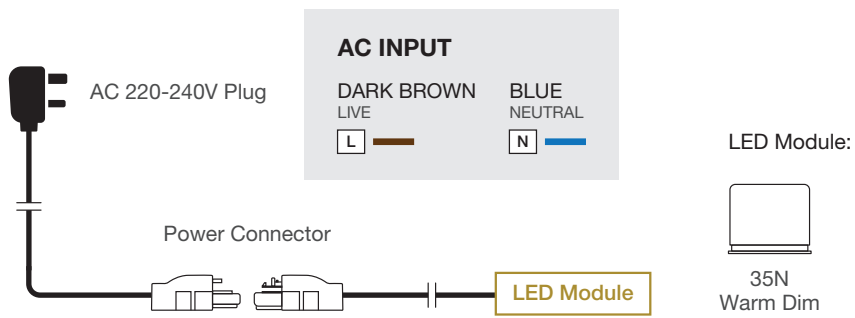


CONNECTION DIAGRAM



CONNECTION DIAGRAM

Constant Current - Integrated Driver



Constant Voltage - 24CV

