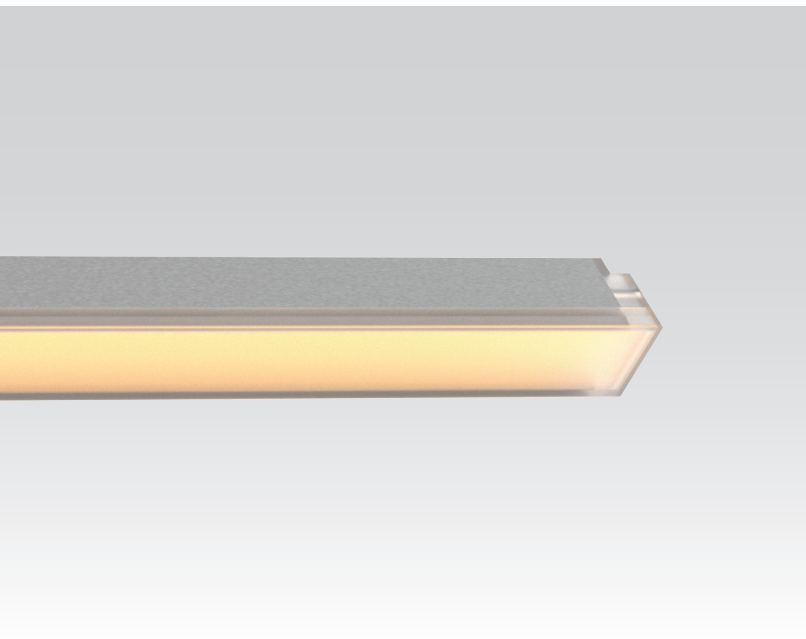




LP16F

FLAT LINEAR PROFILE LUMINAIRE



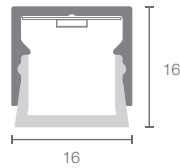
AVAILABLE OPTIONS	
COLOUR OPTIONS	<p>SILVER ANODIZED</p>
CCT OPTIONS	<p>SINGLE CCT</p> <p>2400K 2700K 3000K 3500K 4000K 5000K ProART</p> <p>tuneWHITE</p> <p>1800K 3100K 1800K 4000K 2700K 6500K tuneWHITE</p>
WIRE END & EXIT CONFIGURATIONS OPTIONS	<p>Single Wire End, End Cap Exit</p> <p>Double Wire End, End Cap Exit</p>
ACCESSORIES	<p>Mounting Clip</p> <p>UniLink Mounting Clip</p> <p>FlexiLink Mounting Clip</p>



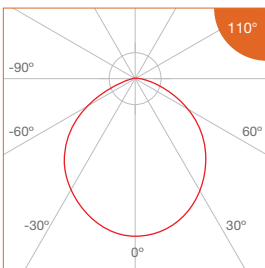
Joinery _Indoor Lighting

Profile Type	16mm width aluminium linear profile
Profile Finishing	Silver Anodised
Cover	Diffused
Light Uniformity	Dot-less
Mounting	Surface, with stainless steel mounting clip
Beam Angle	110°
Compatible LED Module	FM8, FM8TW
CRI	ProART (CRI~95)
SDCM	3 step MacAdam ellipse binning
Lifetime	Up to 50,000 hours L80 lamp life at Ta = 25°C
Voltage	24V DC
Maximum Power	15W/m
Length Options	501mm or 1000mm
Operating Temperature	Ta (min) = -25°C, Ta (max) = +50°C
Wire Connection	Supplied with insulated wires at 150mm length
IP Rating	IP40 or IP54
Profile LOR	66%

DIMENSIONS (MM)



PHOTOMETRICS

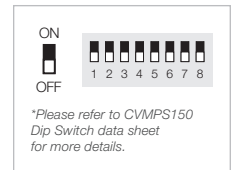




SPECIFICATIONS

• Single CCT

CCT	Efficacy (lm/W)	Default (Max.)	Luminous Flux per meter (lm/m)									
			With CVMPS150 Dip Switch Settings *									
			On "8"	On "7"	On "6"	On "5"	On "4"	On "3"	On "2"	On "1"		
		15W/m	13.5W/m	12W/m	10.5W/m	9W/m	7.5W/m	6W/m	4.5W/m	3W/m		
2400K	62.4	937	843	749	656	562	468	375	281	187		
2700K												
3000K			72.6	1089	980	871	762	654	545	436	327	218
3500K												
4000K	76.2	1143	1029	915	800	686	572	457	343	229		
5000K												
Correction Factor		1.00	0.90	0.80	0.70	0.60	0.50	0.40	0.30	0.20		



• tuneWHITE 1800K - 3100K

CCT	Efficacy (lm/W)	Luminous Flux per meter (lm/m)		
		15W/m/Ch	10W/m/Ch	5W/m/Ch
1800K	55.2	828	555	273
3100K	72.6	1089	730	359
Correction Factor		1.00	0.67	0.33

• tuneWHITE 1800K - 4000K

CCT	Efficacy (lm/W)	Luminous Flux per meter (lm/m)		
		15W/m/Ch	10W/m/Ch	5W/m/Ch
1800K	55.2	828	555	273
4000K	76.2	1143	766	377
Correction Factor		1.00	0.67	0.33

• tuneWHITE 2700K - 6500K

CCT	Efficacy (lm/W)	Luminous Flux per meter (lm/m)		
		15W/m/Ch	10W/m/Ch	5W/m/Ch
2700K	72.6	1089	730	359
6500K	76.2	1143	766	377
Correction Factor		1.00	0.67	0.33



ORDERING MATRIX

Profile	Finishing		Cover		Length		LED Module Power & CCT				Wire End & Exit Configuration		Ingress Protection		
	SL	Silver Anodised	D	Diffused	500	500mm	Single CCT	15	15W/m	24	2400K	SE	Single Wire End, End Cap Exit	IP40	IP40
LP16F					1000	1000mm									
							3000K								
3500K															
4000K															
5000K															
5000K															
LP16F							tuneWHITE	15W/m/Ch	15W/m	TW1831	tuneWHITE				
										1800K-3100K					
										TW1840	tuneWHITE				
								10W/m/Ch	10W/m	1800K-4000K					
								5W/m/Ch	5W/m	2700K-6500K					

*Every linear profiles is supplied with 2 mounting clips

Example: LP16F-SL-D-1000-15-30-SE-IP40

LP16F Profile, Silver Anodised, Diffused cover, 1000mm, with FM8 - 15W/m, 3000K, Single Wire End at End Cap Exit, IP40, Including 2 x End Cap & 2 x Mounting Clip



LINEAR PROFILE AND ACCESSORIES

(Ordering Matrix for Separate Orders)

LP5F

Profile	Diffuser	Length
LP5F	D Diffused	500 500mm
		1000 1000mm
		2000 2000mm

Example: LP5F-D-1000
LP5F Profile, Diffused lens, 2000mm

End Cap	Mounting Clip
LP5F-EC	LP5F-MC
Example: LP5F-EC LP5F End Cap	Example: LP5F-MC LP5F Mounting Clip

LP10F

Profile	Diffuser	Length
LP10F	D Diffused	500 500mm
		1000 1000mm
		2000 2000mm

Example: LP10F-D-1000
LP10F Profile, Diffused lens, 2000mm

End Cap	Mounting Clip	UniLink Mounting Clip	Variable Angle Clip
LP10F-EC	LP10F-MC	LP10F-UMC	LP10F-FMC
Example: LP10F-EC LP10F End Cap	Example: LP10F-MC LP10F Mounting Clip	Example: LP10F-UMC LP10F UniLink Mounting Clip	Example: LP10F-FMC LP10F FlexiLink Mounting Clip

LP16F

Profile	Diffuser	Length
LP16F	D Diffused	500 500mm
		1000 1000mm
		2000 2000mm

Example: LP16F-D-2000
LP16F Profile, Diffused lens, 2000mm

End Cap	Mounting Clip	UniLink Mounting Clip	FlexiLink Mounting Clip
LP16F-EC	LP16F-MC	LP16F-UMC	LP16F-FMC
Example: LP16F-EC LP16F End Cap	Example: LP16F-MC LP16F Mounting Clip	Example: LP16F-UMC LP16F UniLink Mounting Clip	Example: LP16F-FMC LP16F FlexiLink Mounting Clip



LP10R

Profile	Diffuser	Length
LP10R	D Diffused	500 500mm
		1000 1000mm
		2000 2000mm

Example: LP10R-D-2000
LP10R Profile, Diffused lens, 2000mm

End Cap

LP10R-EC

Example: LP10R-EC
LP10R End Cap

Mounting Clip

LP10R-MC

Example: LP10R-MC
LP10R Mounting Clip

Spring Clip

LP10R-SC

Example: LP10R-SC
LP10R Spring Clip

UniLink Mounting Clip

LP10R-UMC

Example: LP10R-UMC
LP10R UniLink Mounting Clip

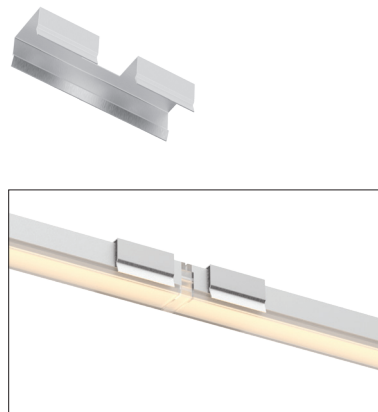
FlexiLink Mounting Clip

LP10R-FMC

Example: LP10R-FMC
LP10R FlexiLink Mounting Clip

MOUNTING METHOD

UniLink Mounting Clip



FlexiLink Mounting Clip

