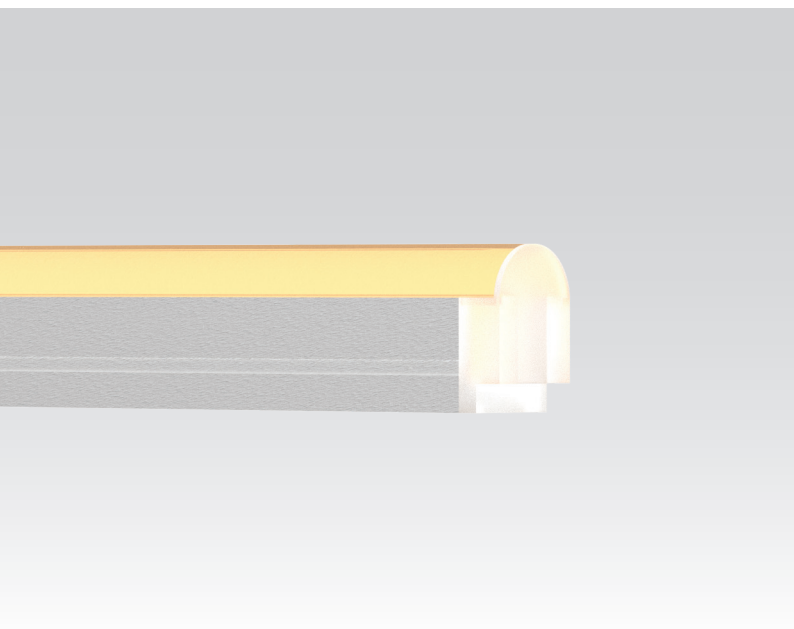




LP16G

GRAZER LINEAR PROFILE LUMINAIRE



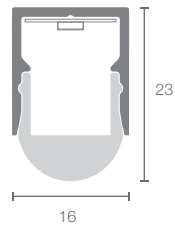
AVAILABLE OPTIONS	
COLOUR OPTIONS	<p>SILVER ANODIZED</p>
CCT OPTIONS	<p>SINGLE CCT</p> <p>tuneWHITE</p>
WIRE END & EXIT CONFIGURATIONS OPTIONS	<p>Single Wire End, End Cap Exit</p> <p>Double Wire End, End Cap Exit</p>
ACCESSORIES	<p>Mounting Clip</p> <p>UniLink Mounting Clip</p> <p>FlexiLink Mounting Clip</p>



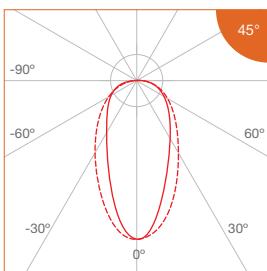
Grazer/ Wallwash _Indoor Lighting

Profile Type	15.5mm width aluminium linear profile
Profile Finishing	Silver Anodised
Cover	Diffused
Light Uniformity	Lightly dot-visible
Mounting	Surface, with stainless steel mounting clip
Beam Angle	45°
Compatible LED Module	FM8, FM8TW
CRI	ProART (CRI~95)
SDCM	3 step MacAdam ellipse binning
Lifetime	Up to 50,000 hours L80 lamp life at Ta = 25°C
Voltage	24V DC
Maximum Power	15W/m
Length Options	505mm or 1000mm
Operating Temperature	Ta (min) = -20°C, Ta (max) = +50°C
Wire Connection	Supplied with insulated wires at 150mm length
IP Rating	IP40 or IP54
Profile LOR	49% on 45° Beam Angle

DIMENSIONS (MM)



PHOTOMETRICS



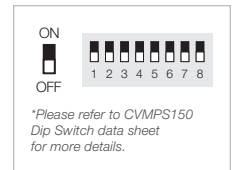


Grazer/ Wallwash _Indoor Lighting

SPECIFICATIONS

- Single CCT

Beam Angle	CCT	Efficacy (lm/W)	Default (Max.) 15W/m	Luminous Flux per meter (lm/m)							
				With CVMPS150 Dip Switch Settings *							
				On "8"	On "7"	On "6"	On "5"	On "4"	On "3"	On "2"	On "1"
45°	2400K	46.4	695	626	556	487	417	348	278	209	139
	2700K			13.5W/m	12W/m	10.5W/m	9W/m	7.5W/m	6W/m	4.5W/m	3W/m
	3000K	53.9	809	728	647	566	485	404	323	243	162
	3500K										
	4000K										
5000K	56.6	849	764	679	594	509	424	340	255	170	
Correction Factor			1.00	0.90	0.80	0.70	0.60	0.50	0.40	0.30	0.20



- tuneWHITE 1800K - 3100K

Beam Angle	CCT	Efficacy (lm/W)	Luminous Flux per meter (lm/m)		
			15W/m/Ch	10W/m/Ch	5W/m/Ch
45°	1800K	41.0	614	412	203
	3100K	53.9	809	542	267
Correction Factor			1.00	0.67	0.33

- tuneWHITE 1800K - 4000K

Beam Angle	CCT	Efficacy (lm/W)	Luminous Flux per meter (lm/m)		
			15W/m/Ch	10W/m/Ch	5W/m/Ch
45°	1800K	41.0	614	412	203
	4000K	56.6	849	569	280
Correction Factor			1.00	0.67	0.33

- tuneWHITE 2700K - 6500K

Beam Angle	CCT	Efficacy (lm/W)	Luminous Flux per meter (lm/m)		
			15W/m/Ch	10W/m/Ch	5W/m/Ch
45°	2700K	53.9	809	542	267
	6500K	56.6	849	569	280
Correction Factor			1.00	0.67	0.33

ORDERING MATRIX

Profile	Finishing		Beam Angle		Length		LED Module Power & CCT					Wire End & Exit Configuration		Ingress Protection	
LP16G	SL	Silver Anodised	45	45°	500	500mm	Single CCT	15	15W/m	24	2400K	SE	Single Wire End, End Cap Exit	IP40	IP40
					1000	1000mm		27	2700K	DE	Double Wire End, End Cap Exit				
								30	3000K						
								35	3500K						
								40	4000K						
								50	5000K						
								tuneWHITE							
								15PC	15W/m/Ch	TW1831	tuneWHITE 1800K-3100K				
								10PC	10W/m/Ch	TW1840	tuneWHITE 1800K-4000K				
								5PC	5W/m/Ch	TW2765	tuneWHITE 2700K-6500K				

*Every linear profiles is supplied with 2 mounting clips

Example: LP16G-SL-45-1000-15-30-SE-MC-IP40

LP16G Profile, Silver Anodised, Beam Angle 45°, 1000mm, with FM8 - 15W/m, 3000K, Single Wire End at End Cap Exit, IP40, Including 2 x End Cap & 2 x Mounting Clip



LINEAR PROFILE AND ACCESSORIES

(Ordering Matrix for Separate Orders)

LP16G

Profile	Diffuser	Length		
LP16G	D	Diffused	500	500mm
			1000	1000mm
			2000	2000mm

Example: LP16G-D-2000
LP16G Profile, Diffused lens, 2000mm

End Cap

LP16G-EC

Example: LP16G-EC
LP16G End Cap

Mounting Clip

LP16G-MC

Example: LP16G-MC
LP16G Mounting Clip

Adjustable Mounting Clip

Adjustable Mounting Clip

Example: LP16G-AMC
LP16G Adjustable Mounting Clip

UniLink Mounting Clip

LP16G-UMC

Example: LP16G-UMC
LP16G UniLink Mounting Clip

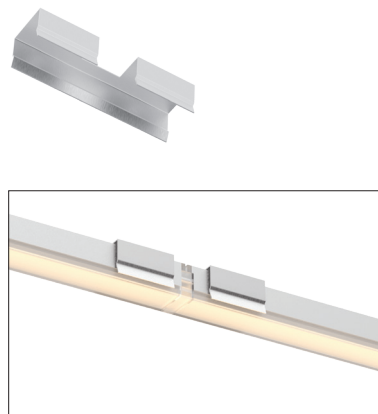
FlexiLink Mounting Clip

LP16G-FMC

Example: LP16G-FMC
LP16G FlexiLink Mounting Clip

MOUNTING METHOD

UniLink Mounting Clip



FlexiLink Mounting Clip

