

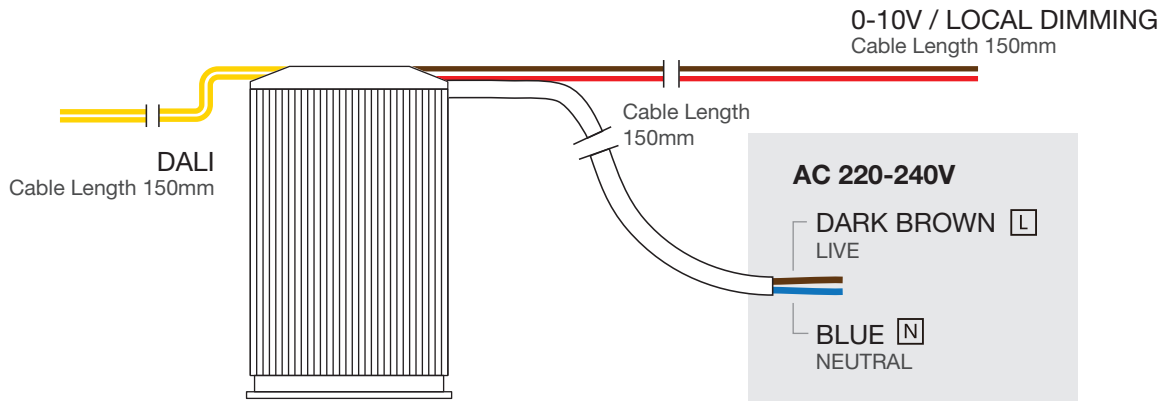
NEST LED MODULE

DALI : DA+ DA-, NO POLARITY

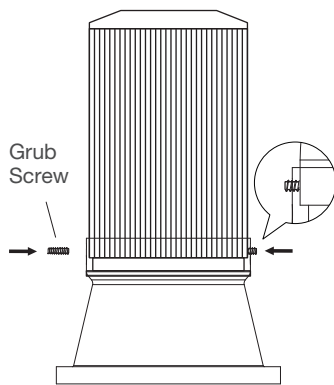
0-10V : RED FOR "+", BROWN FOR "-"

LOCAL DIMMING : USE 1M OHM POTENTIOMETER

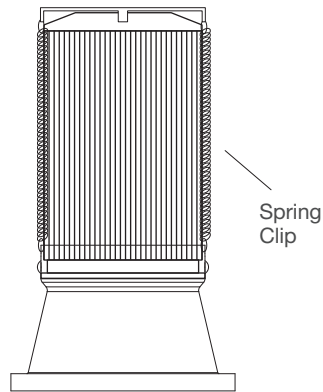
(only one of above options will be supplied in each module)



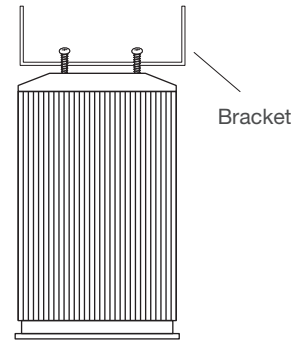
Mounting Options for ELR Nest LED Module Series



Method 1
Grub screw to tighten between module & fixture.

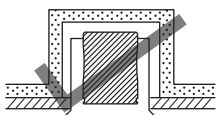


Method 2
Attach module & fixture with spring clip.

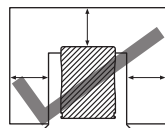


Method 3
Screw on bracket to module.

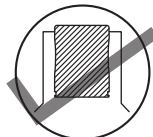
LED Module Installation Conditions



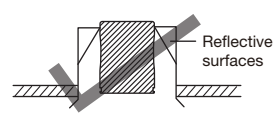
Insulation Material



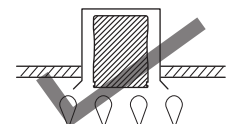
Narrow Space



Enclosed Space

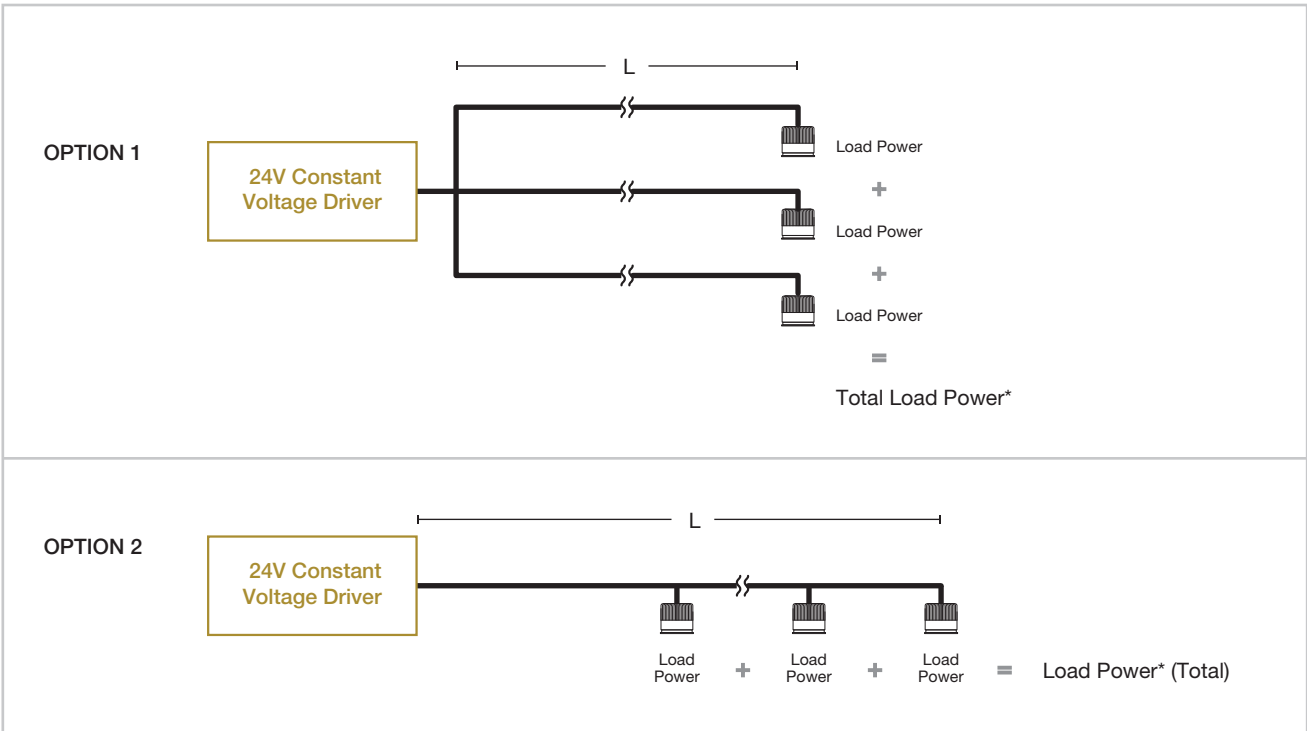
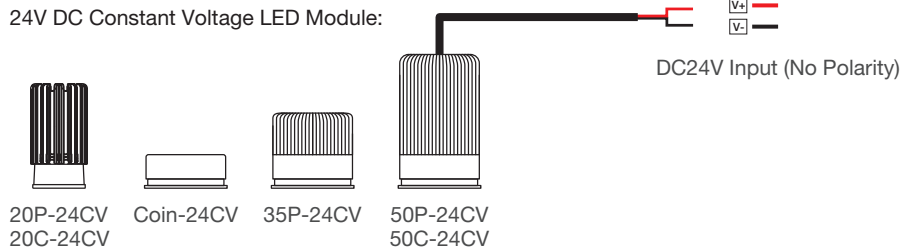


Reflection Material



Wet Area

CLASSIC / PRO LED MODULE (Single CCT - Constant Voltage - 24CV)

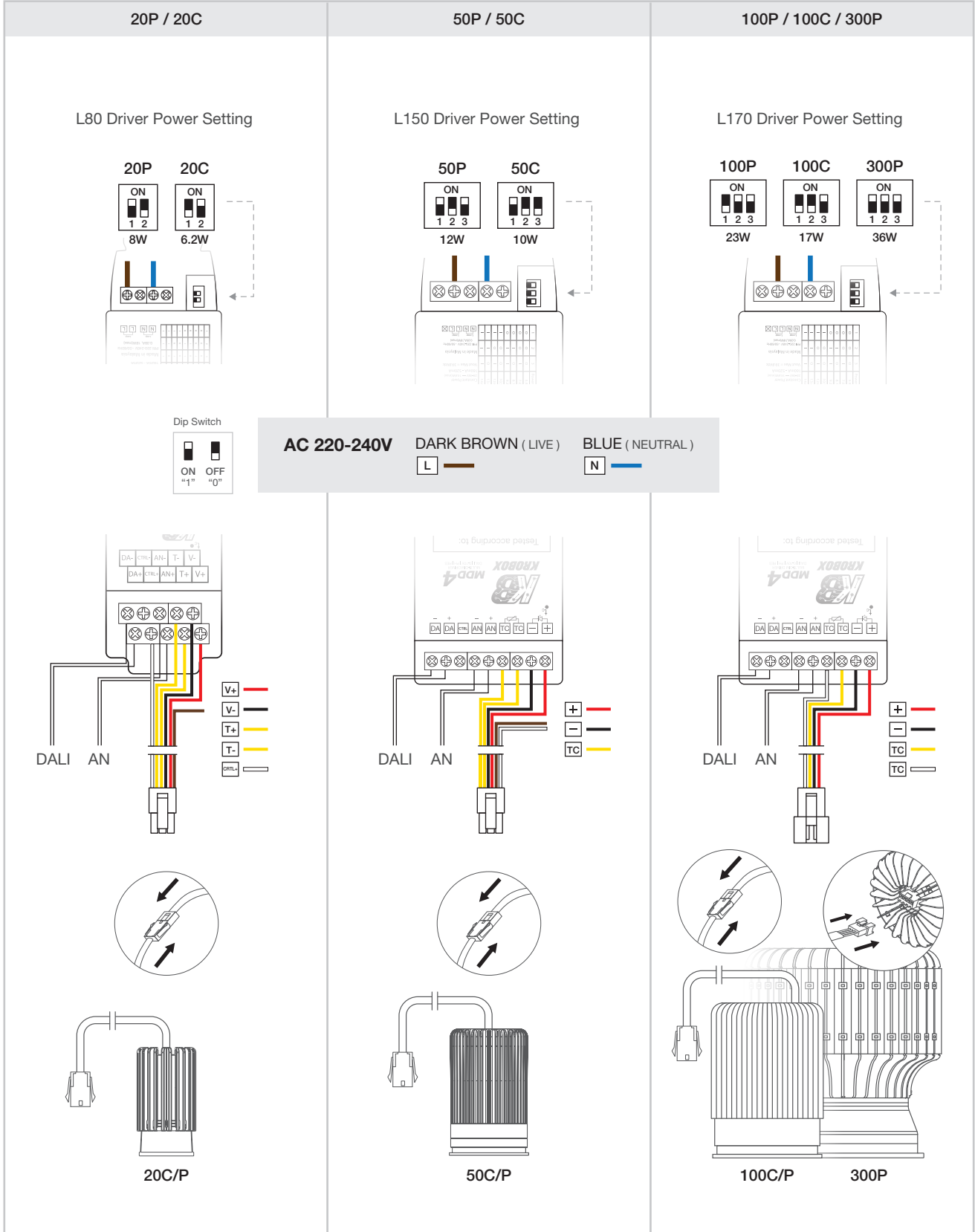


*The Total Load Power must not exceed 80% of the 24V Constant Voltage Driver's output capacity.

Load Power (W)	L- Recommended Max. Cable Length From Driver to 24CV LED Module (m)					
	Cable Size					
	AWG 24	AWG 22	AWG 20	AWG 18	AWG 16	AWG 14
300	-	1	1.5	2.5	3.5	5.5
200	1	1.4	2.2	3.5	5.5	8.5
150	1.1	1.8	3	4.5	7.5	12
100	1.7	2.7	4.4	7	11	17
50	3.5	5.5	8.8	14	22	34
20	8.5	14	22	35	55	86
10	17	27	43	70	110	170

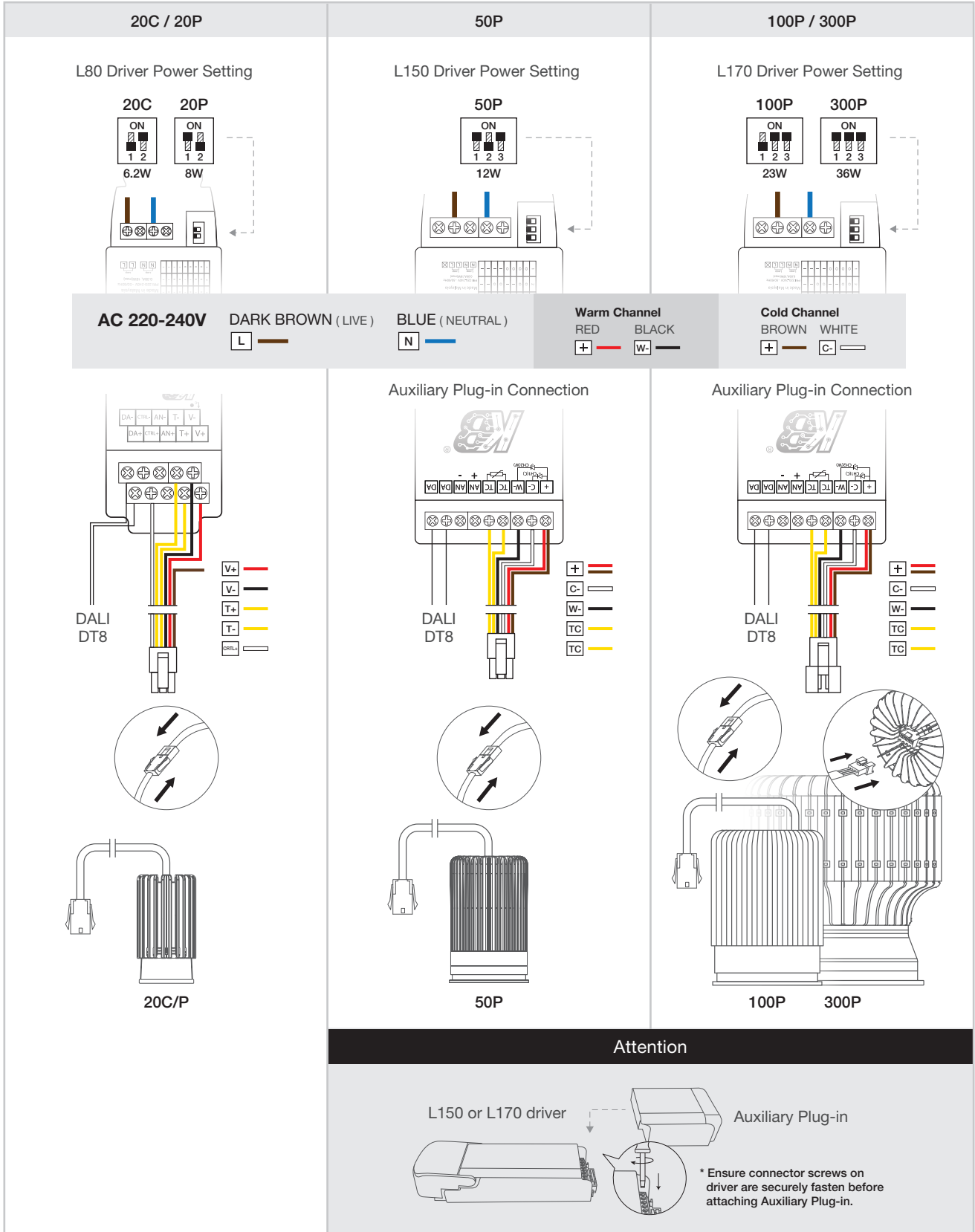
20240618

CLASSIC / PRO LED MODULE (Single CCT / WARM DIM)

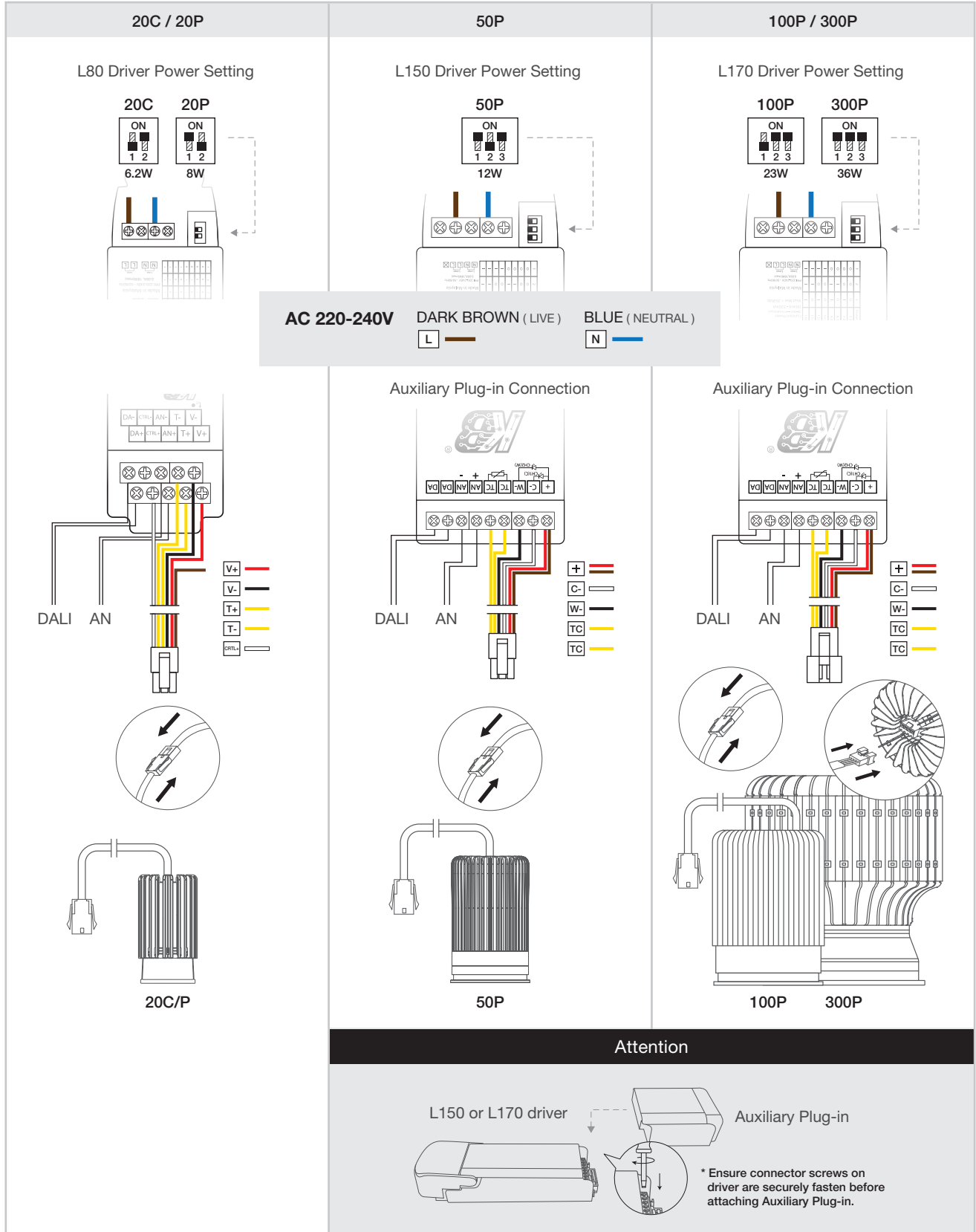


20230307

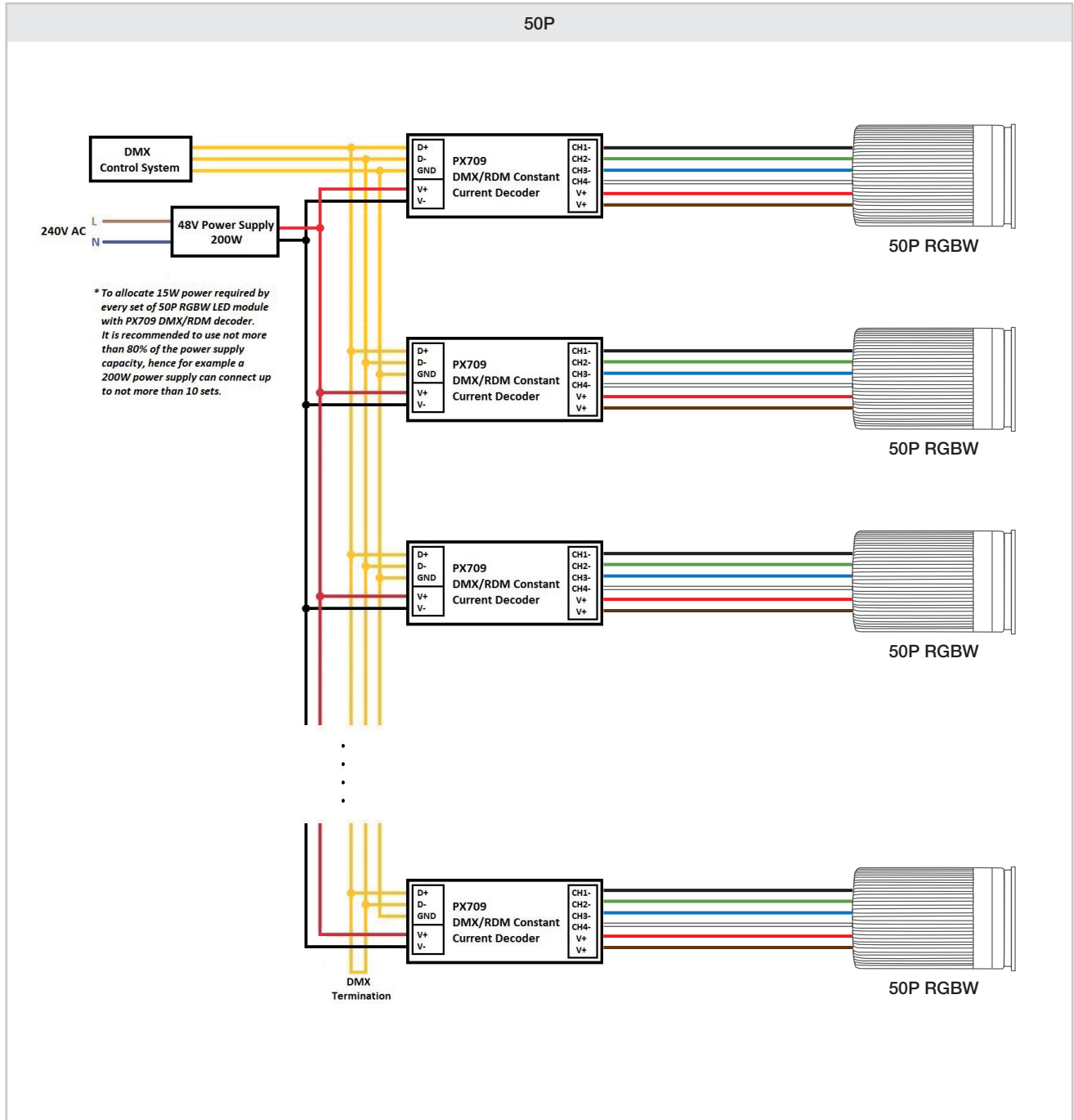
CLASSIC / PRO LED MODULE (tuneWHITE)



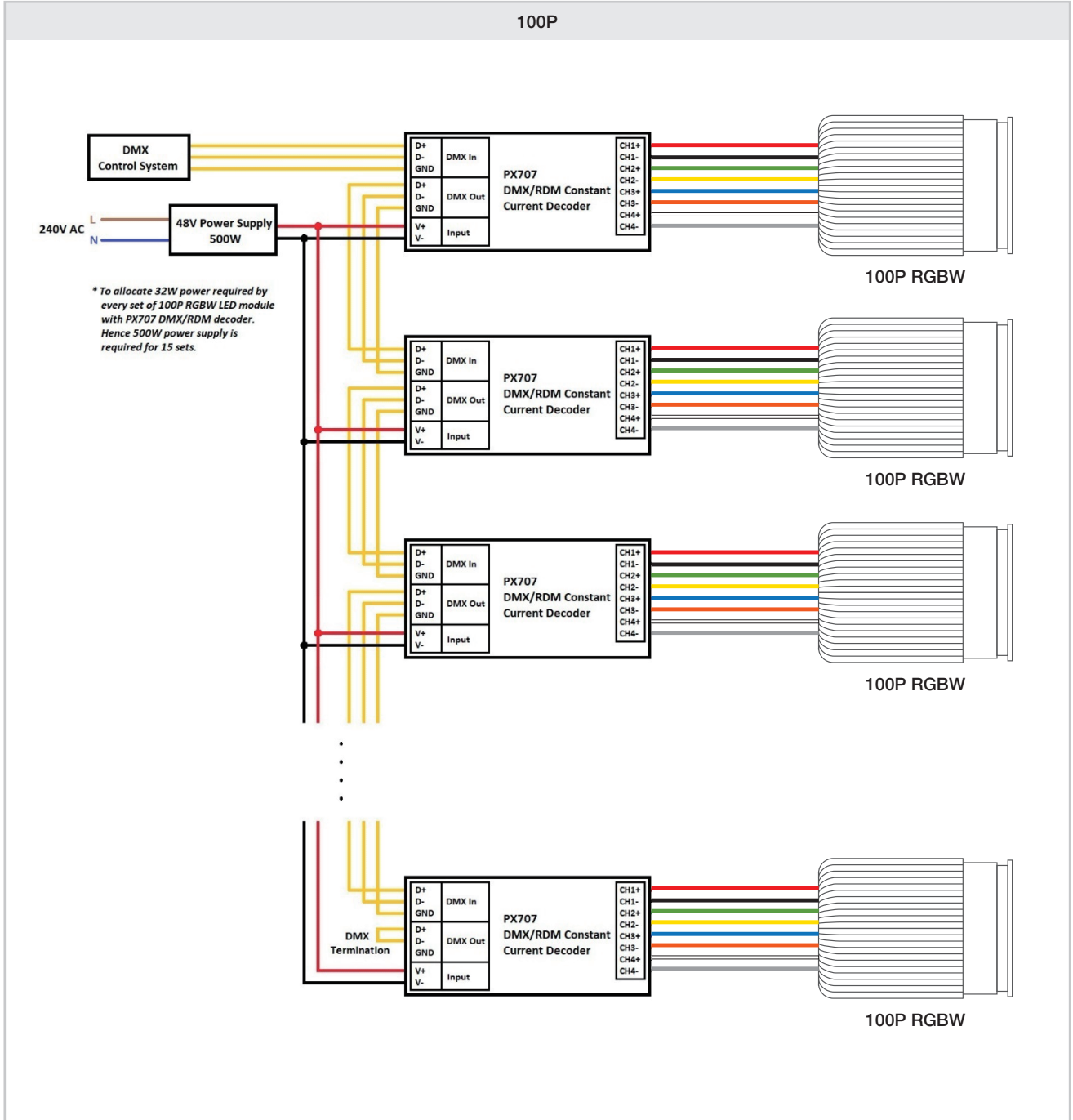
CLASSIC / PRO LED MODULE (flexiK)



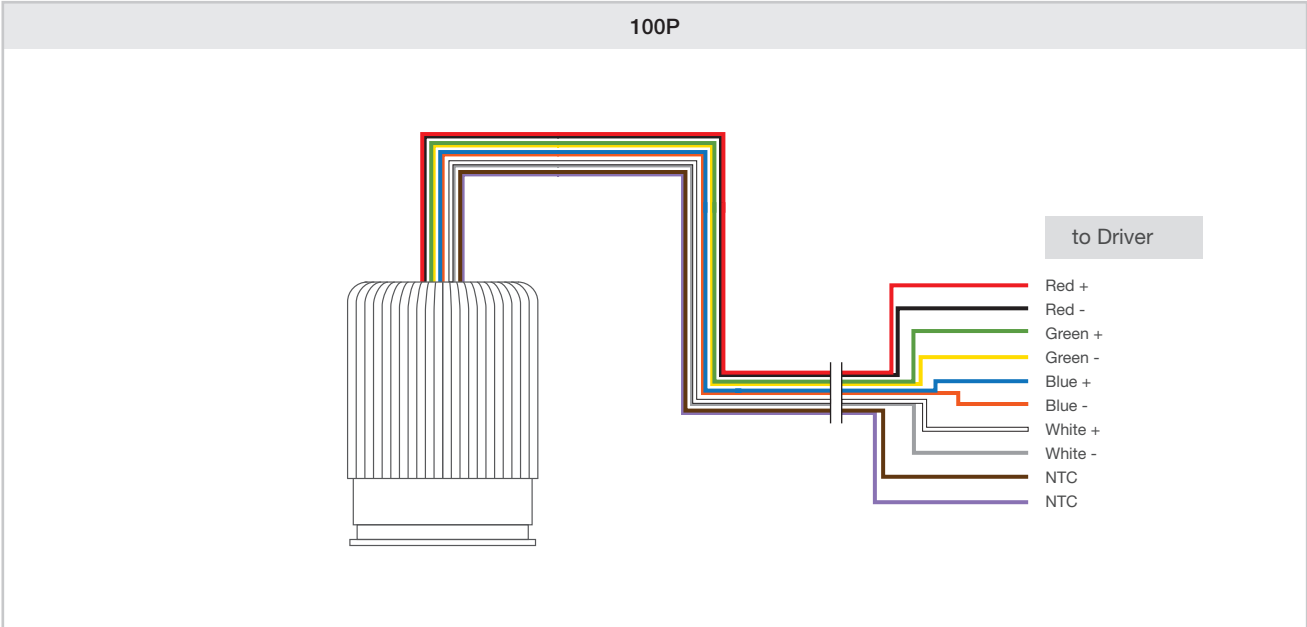
RGBW LED MODULE (DMX Decoder)



RGBW LED MODULE (DMX Decoder)

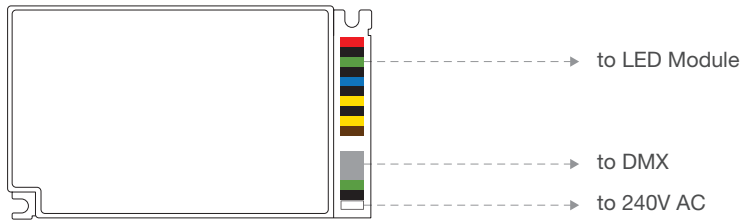


RGBW LED MODULE (DMX)



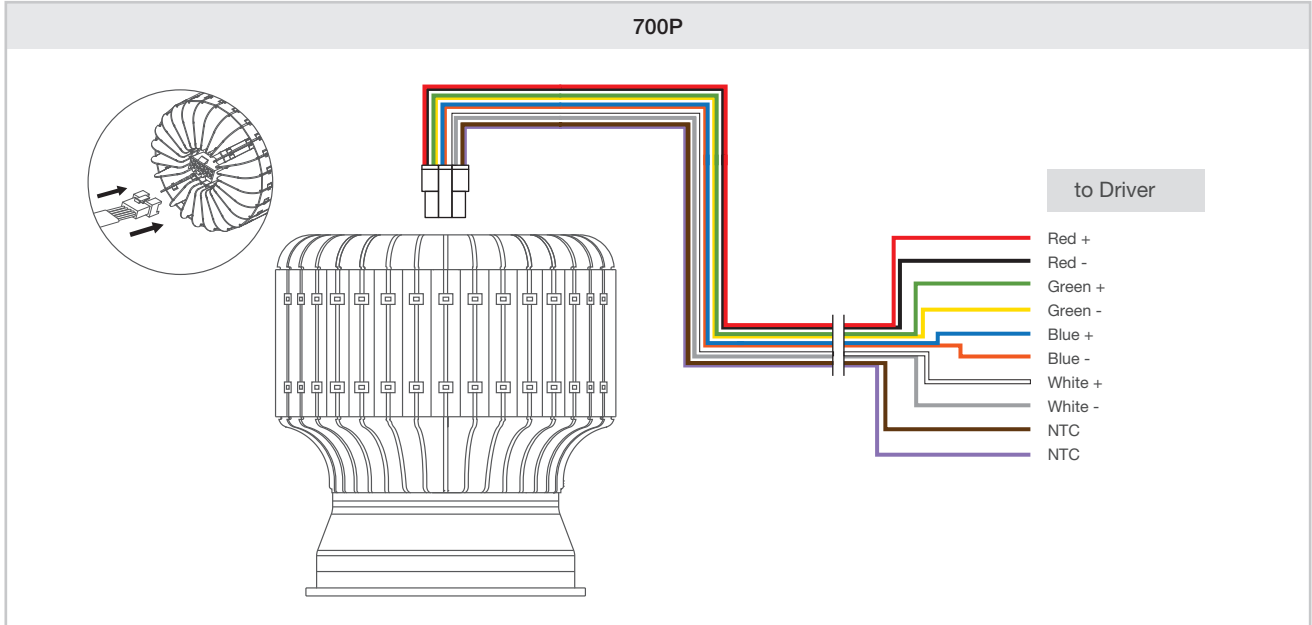
DMX Driver

eldoLED POWERdrive 50S-M4Z0X (DMX)



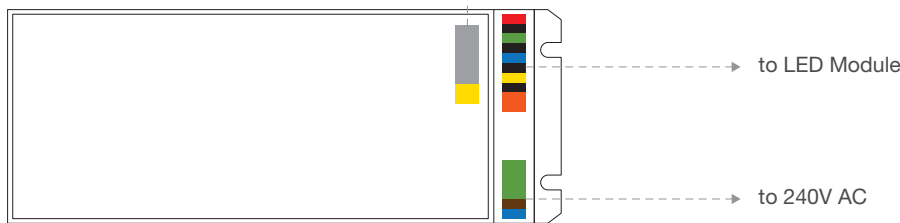
to LED Module	to DMX	to 240V AC
Red LED output 1 +	DMX in +	Green EARTH
Black LED output 1 -	DMX in -	Black LIVE
Green LED output 2 +	DMX shield	White NEUTRAL
Black LED output 2 -		
Blue LED output 3 +		
Black LED output 3 -		
Yellow LED output 4 +		
Black LED output 4 -		
Yellow LED Code/NTC +		
Brown LED Code/NTC -		

RGBW / RGBA LED MODULE (DMX)

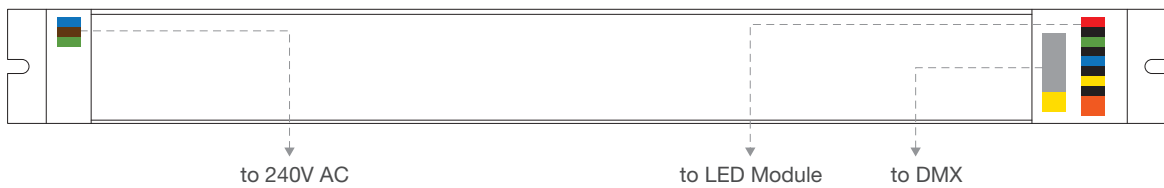


DMX Driver

eldoLED POWERdrive 1061/S (DMX)



eldoLED POWERdrive 1061/M (DMX)



to LED Module

- Red LED output 1 +
- Black LED output 1 -
- Green LED output 2 +
- Black LED output 2 -
- Blue LED output 3 +
- Black LED output 3 -
- Yellow LED output 4 +
- Black LED output 4 -
- Orange LED Code/NTC +
- Orange LED Code/NTC -

to DMX

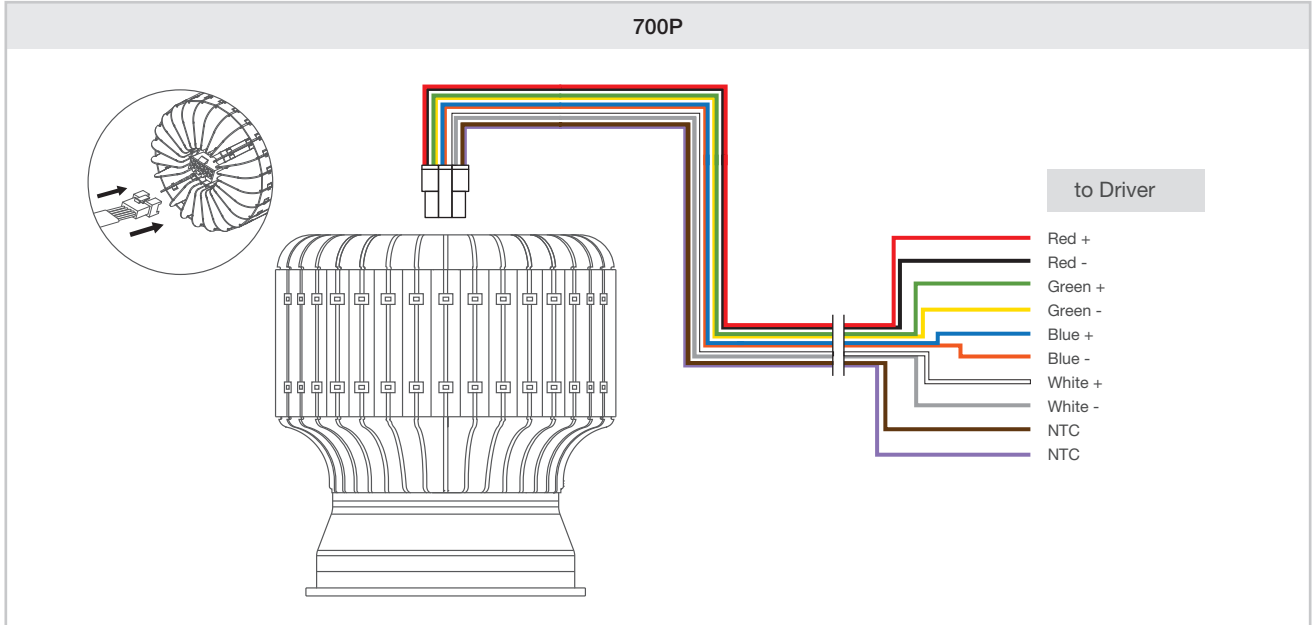
- Grey DMX in +
- Grey DMX in -
- Grey DMX in shield
- Grey DMX out +
- Grey DMX out -
- Grey DMX out shield
- Yellow Ext in +
- Yellow Ext in -

to 240V AC

- Brown LIVE
- Blue NEUTRAL
- Green EARTH

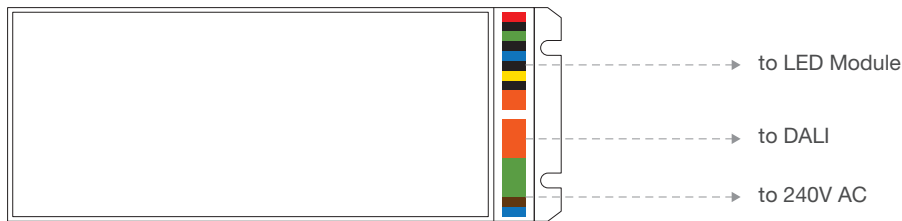
20240618

RGBW / RGBA LED MODULE (DALI)

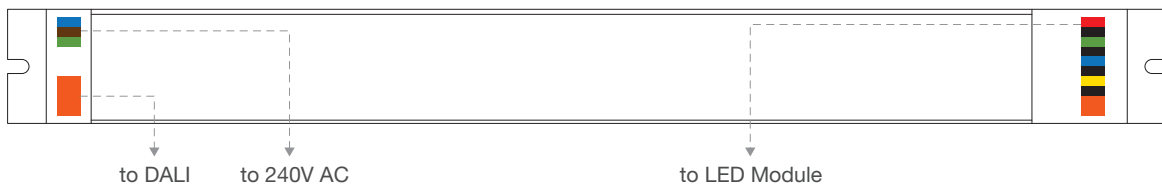


DALI Driver

eldoLED POWERdrive 106/S (DALI)



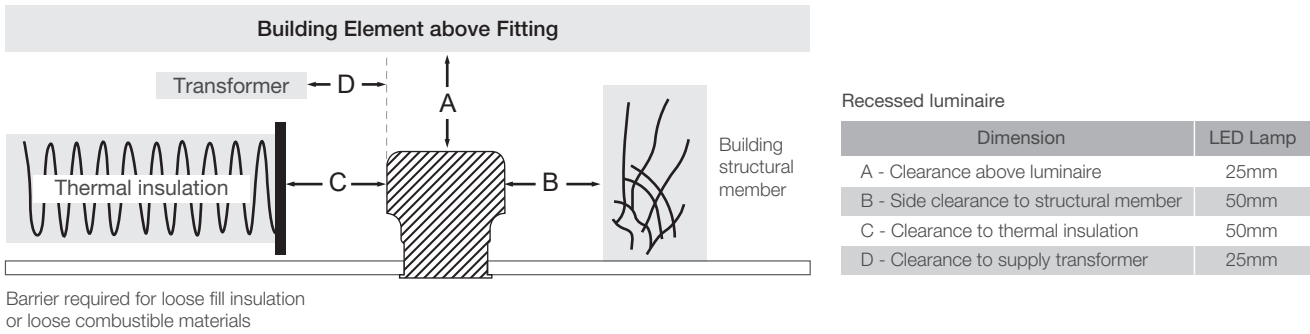
eldoLED POWERdrive 106/M (DALI)



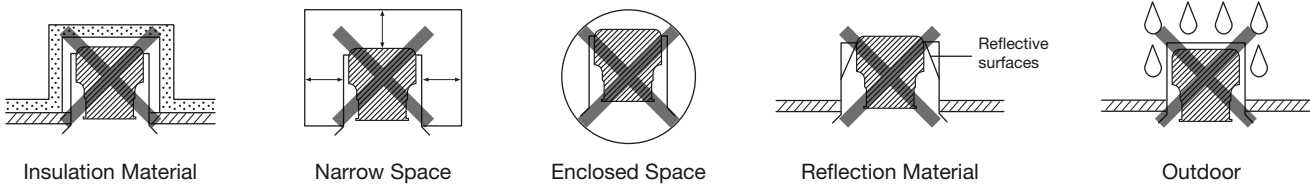
to LED Module	to DALI	to 240V AC
Red LED output 1 +	Orange DALI +	Brown LIVE
Black LED output 1 -	Red DALI -	Blue NEUTRAL
Green LED output 2 +	Yellow DALI +	Green EARTH
Black LED output 2 -	Orange DALI -	
Blue LED output 3 +	Red DALI -	
Black LED output 3 -		
Yellow LED output 4 +		
Black LED output 4 -		
Orange LED Code/NTC +		
Red LED Code/NTC -		

CLASSIC / PRO LED MODULE

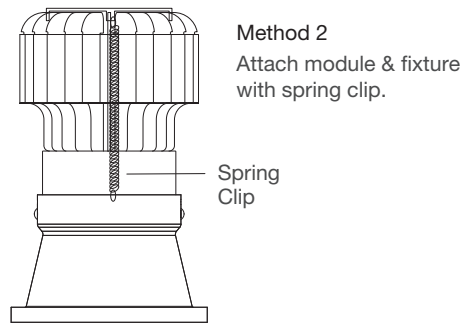
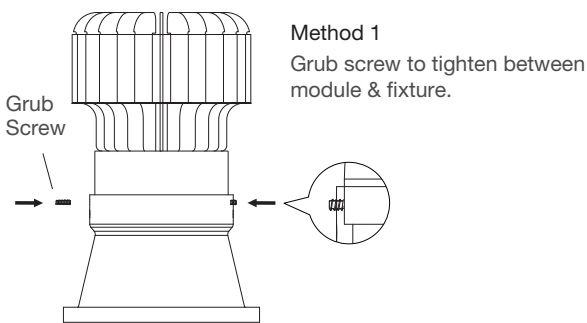
- Suitable for indoor installation only.
- Disconnect mains before proceeding.
- Locate fitting in accordance with local standards. Refer to image below for clearances.



WARNING! Use of ELR's light engine under the stated environments below will **NOT** be covered in our warranty.



Mounting Options for ELR Classic / Pro LED Module Series



LED Module Important Notes

Environment (in maximum value)
Storage Temperature -20°C...85°C
Ambience 50°C
Working Humidity 85% RH

- SAFETY WARNING**
- Luminaires **MUST** be installed by licensed electrician in accordance with local standards.
 - LED modules **MUST ONLY** be connected to supplied LED drivers. It is not compatible with any other type of driver. Failure to adhere to this may cause damage and void warranty.
 - **DO NOT COVER** lamp or driver under any circumstances.
 - Ensure mains supply is not energised and/or is disconnected prior to installation/ connection/disconnection of LED module from LED driver.
 - Luminaires must not be Megger tested or connected during any in-circuit testing.
 - No user serviceable parts. Do not attempt to disassemble or repair lamp or driver.
 - Do not use in flammable or explosive environments.
 - Do not attempt to modify luminaires or supplied wiring in any way.
 - Allow suitable air flow and ventilation around the luminaire.

DIMMER COMPATIBILITY DECLARATION

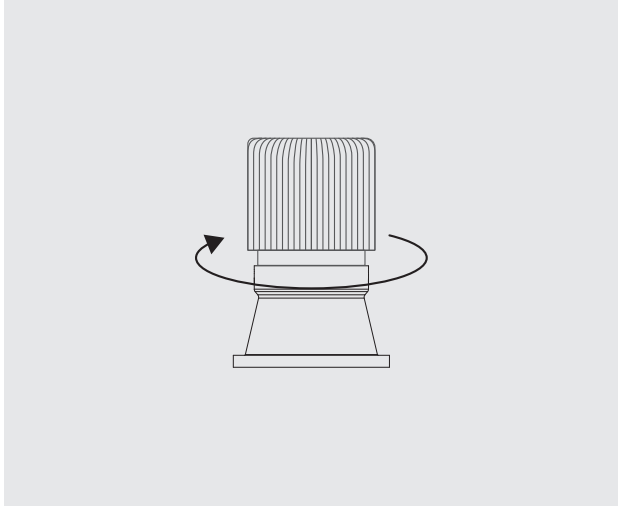
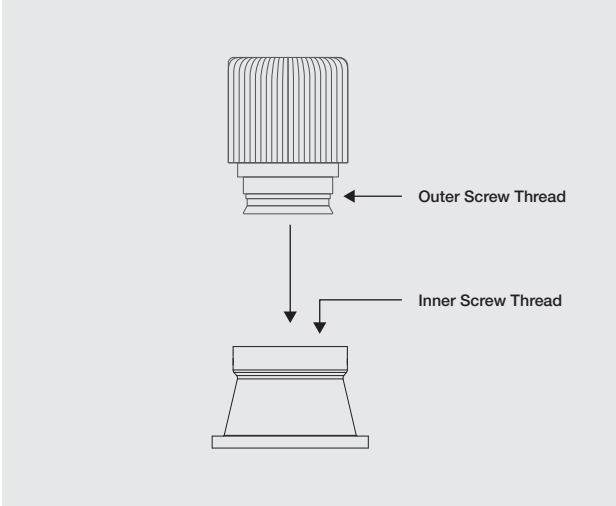
Our Luminaires are designed for industry and home commonly used standard phase dimmers for best lighting effect achievement to provide added value to customers.

However, with thousands of dimmer models available in the market today, 100% compatibility cannot be guaranteed. In order to avoid disappointment, it is advised to use dimmer models that have been tested to be compatible. The latest information on dimming compatibility is available within our Dimmer Compatibility Card and can be obtained through our website and local distributors.

If any intended dimmer model to be used is not listed in our Dimmer Compatibility Card, kindly contact us and send in the dimmer to be tested. We will respond within the shortest possible time and advise on the compatibility with our luminaires.

We will not be responsible for all losses due to the incompatibility of the dimmer with our luminaires. Incompatibility includes abnormal operations i.e., flicker, throb, delayed on/off, failure, narrow dimming ranges, etc. and are not limited to the above mentioned conditions.

LED Module Mounting Method



1. Align the outer screw thread of the MS LED module with the inner screw thread of the MS fixture.

2. Rotate the MS LED module clockwise to secure it onto the MS fixture

LED Module Important Notes

Environment (in maximum value)

Storage Temperature
-20°C...85°C

Ambience
45°C

Working Humidity
85% RH

SAFETY WARNING

- Luminaires **MUST** be installed by licensed electrician in accordance with local standards.
- LED modules **MUST ONLY** be connected to supplied LED drivers. It is not compatible with any other type of driver. Failure to adhere to this may cause damage and void warranty.
- **DO NOT COVER** lamp or driver under any circumstances.
- Ensure mains supply is not energised and/or is disconnected prior to installation/ connection/disconnection of LED module from LED driver.
- Luminaires must not be Megger tested or connected during any in-circuit testing.
- No user serviceable parts. Do not attempt to disassemble or repair lamp or driver.
- Do not use in flammable or explosive environments.
- Do not attempt to modify luminaires or supplied wiring in any way.
- Allow suitable air flow and ventilation around the luminaire.

DIMMER COMPATIBILITY DECLARATION

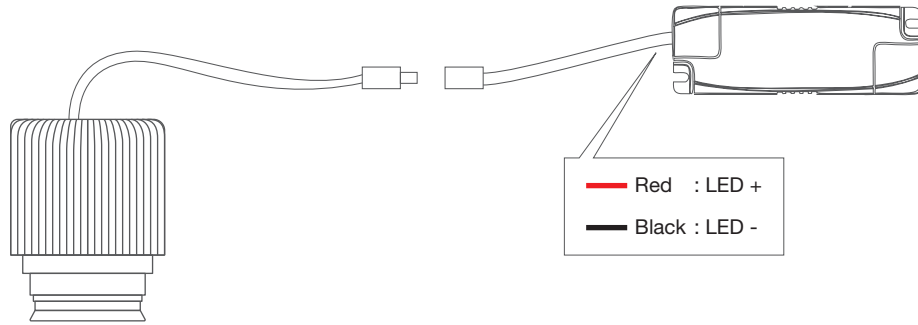
Our Luminaires are designed for industry and home commonly used standard phase dimmers for best lighting effect achievement to provide added value to customers.

However, with thousands of dimmer models available in the market today, 100% compatibility cannot be guaranteed. In order to avoid disappointment, it is advised to use dimmer models that have been tested to be compatible. The latest information on dimming compatibility is available within our Dimmer Compatibility Card and can be obtained through our website and local distributors.

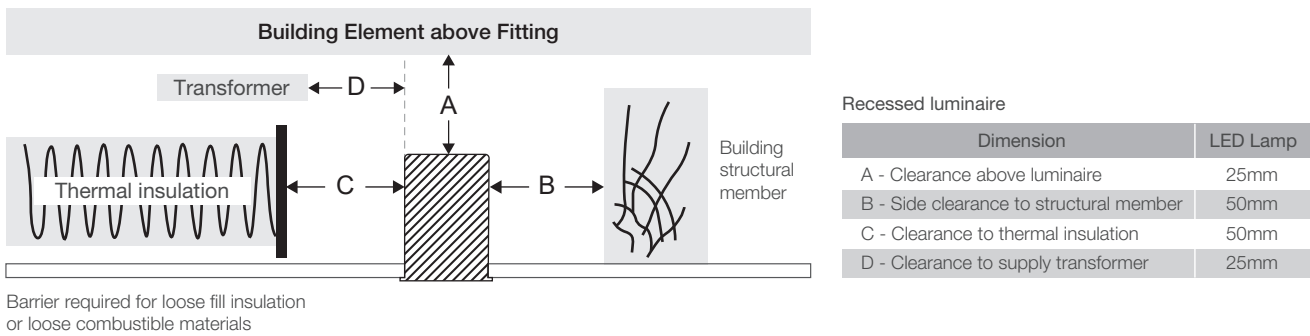
If any intended dimmer model to be used is not listed in our Dimmer Compatibility Card, kindly contact us and send in the dimmer to be tested. We will respond within the shortest possible time and advise on the compatibility with our luminaires.

We will not be responsible for all losses due to the incompatibility of the dimmer with our luminaires. Incompatibility includes abnormal operations i.e., flicker, throb, delayed on/off, failure, narrow dimming ranges, etc. and are not limited to the above mentioned conditions.

LED Module Wiring Connection



- Suitable for indoor installation only.
- Disconnect mains before proceeding.
- Locate fitting in accordance with local standards. Refer to image below for clearances.



WARNING! Use of ELR's light engine under the stated environments below will **NOT** be covered in our warranty.

