

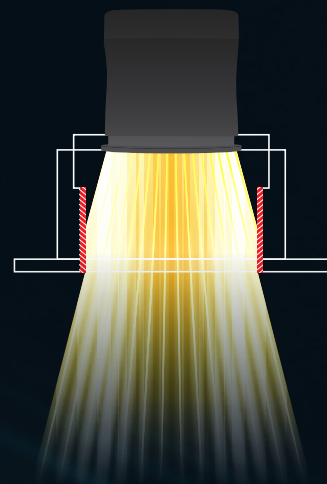
X BEAM

Introducing our new breakthrough in optics. While maintaining the performance of providing accurate light distribution and chromatic consistency, the ELR X-Beam maximises luminous efficiency further within luminaires, giving near perfect light output ratio (LOR).



CONVENTIONAL TIR LENS

Although the Total Internal Reflection technique produces excellent controlled light output, there is bound to be loss of light due to the cut-off by lighting fixtures, especially in pinhole type fixtures in particular.



ELR X-BEAM

By using a converging lens, the focal point of the light output is being shifted away from the optics itself, therefore reducing the cut-off by the lighting fixture hence maximising the LOR.

